



**Seatrest and Backrest**

Seatrest and Backrest are manufactured from polyurethane material in aluminum molds which are designed in accordance to the human anatomy and have the standart of  $50 \pm 10\%$  densty and Mvss 302 fire behaviour. Seatrest and Backrest have a durable inner skeleton made of metal profile. Seatrests are manufactured as to have self-closing weight-centered mechanism.

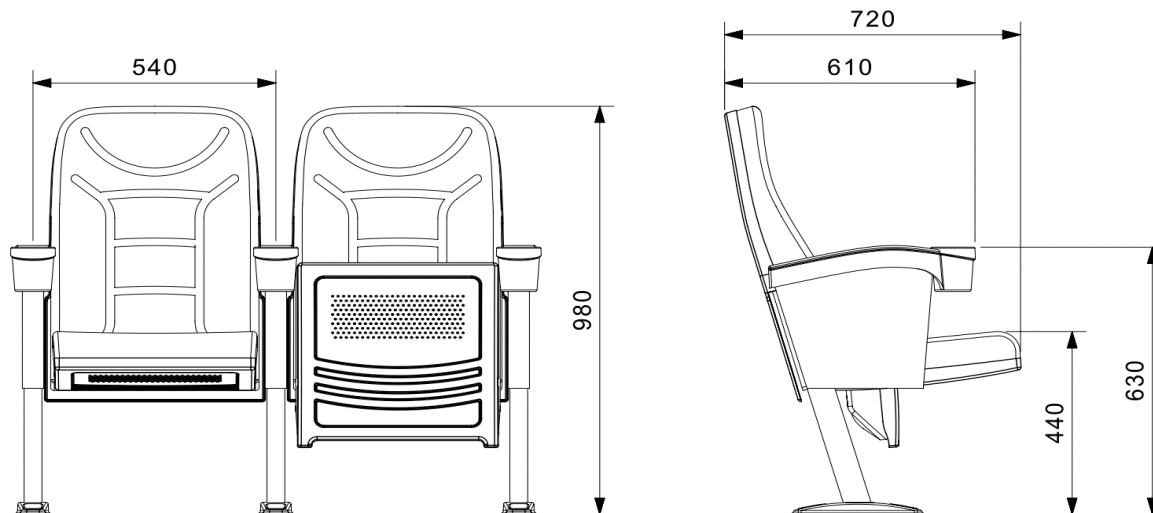
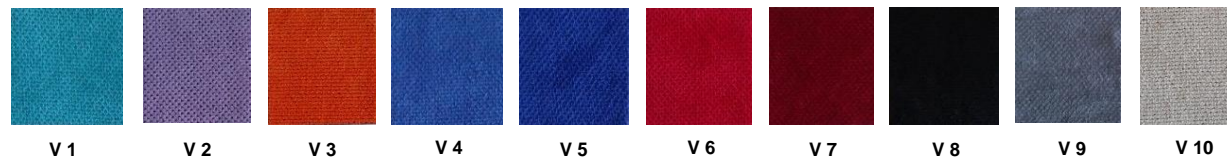
**Foot and Armrest**

The foot connection parts are manufactured from 40x60x1,5 profile and the connection parts to the floor are made of at least 2 mm sheet which is shaped and formed by molds. Metal frame under armrest are covered with mdf and laminated fabric. Plastic armrests have resistant to impact and they are fix on the metal frame. Armrests between the seats are used as a common and seats are fixed to the ground with 2 feet.

**Upholstery**

The upholstery fabric is 100% polyester, has resistant to friction, non-flammable and have fastness properties. Friction Strength: 60,000 cycles. Weight: 285 gr / m2. Seatrest and backrest are covered with durable plastic with acoustic specification.

**FABRIC COLOR OPTIONS**



**BOLTON S50**

