



Seatrest and Backrest

Seatrest and Backrest are manufactured from polyurethane material in aluminum molds which are designed in accordance to the human anatomy and have the standart of $50 \pm 10\%$ density and Mvss 302 fire behaviour. Seatrest and Backrest have a durable inner skeleton made of metal profile. Seats have self-closing spring mechanism.

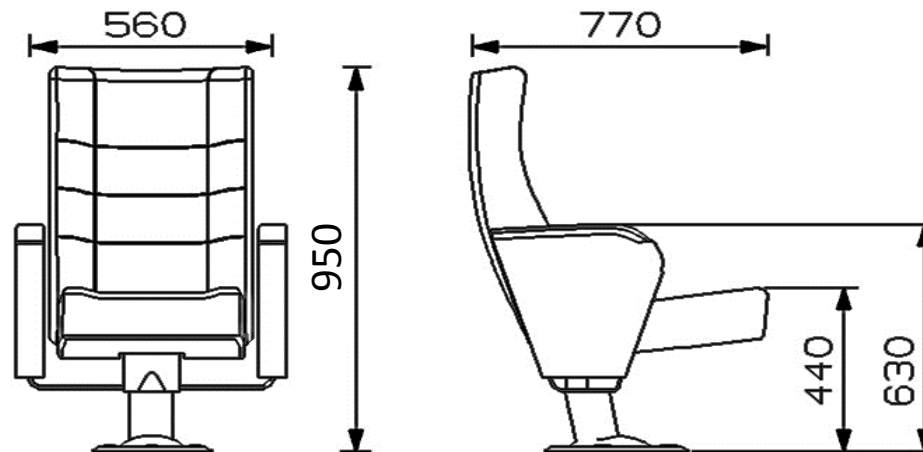
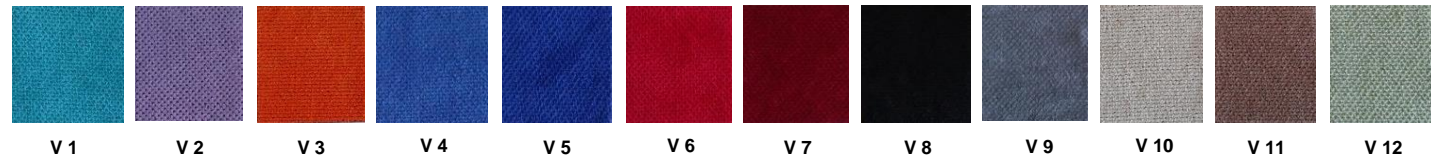
Foot and Armrest

The foot connection parts are manufactured from pipe with a diameter of 100 mm and 2.5 mm thickness and the connection parts to the floor are made of at least 2 mm sheet which is shaped and formed by molds. Armrest are covered with mdf and laminated fabric. Armrests between the seats are used as a common and seats are fixed to the ground with single foot.

Upholstery

The upholstery fabric is 100% polyester, has resistant to friction, non-flammable and have fastness properties. Friction Strength: 60,000 cycles. Weight: 285 gr / m2. Seatrest and backrest are covered whole with fabric.

FABRIC COLOR OPTIONS



ALTEZA K50





